



800W High Power Fixed Attenuator



Features

- Low VSWR
- High Power
- Fans included.

Typical Applications

- Microwave Signal Attenuation.
- Test and Measurement.
- Research and Development.
- Radar Applications



Electrical Specifications, 25°C

| Part Number | Frequency Range (GHz) | Attenuation Accuracy (dB) | | | | | Power (CW) | Peak Power(KW) |
|-------------|-----------------------|---------------------------|--------|-------|-------|------|------------|----------------|
| | | 30 | 40 | 50 | 60 | VSWR | | |
| RFS800G01 | DC – 1GHz | / | ± 1.0 | ± 1.0 | ± 1.5 | 1.20 | 800 | 10 |
| RFS800G02 | DC – 2GHz | / | ± 1.25 | ± 1.5 | ± 2.0 | 1.35 | | |
| RFS800G03 | DC – 3GHz | / | ± 1.5 | ± 2.0 | ± 2.5 | 1.40 | | |
| RFS800G04 | DC – 4GHz | / | ± 2.0 | ± 2.5 | ± 3.0 | 1.50 | | |

Mechanical Specifications

| | |
|------------------------|---|
| Coaxial Connector Type | N or 7/16 (Male or Female) |
| Size | 506x 260x 140mm (20" x 10.2" x 5.51") (no Fan) 506x 260x 260mm (20" x 10.2" x 10.23") (with Fan) |
| Weight | 17.5KG (No Fan) 20KG (With Fan) |
| External Body Finish | Body painted with gray / black epoxy enamel |

Environmental Specifications

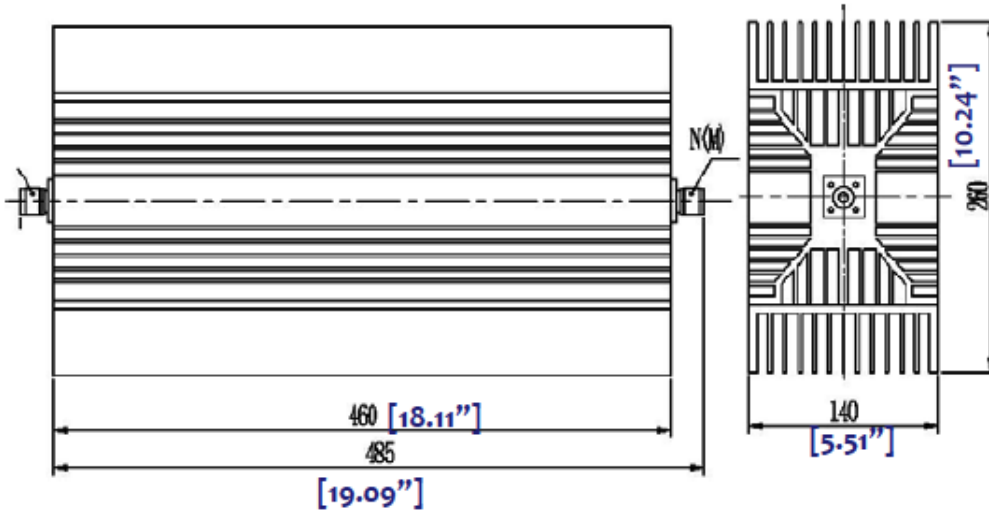
| | |
|------------------------------|--------------------------------|
| Operational Temperature (°C) | -40~ +85 |
| Storage Temperature (°C) | -55 ~ +125 |
| Altitude | 42000 ft |
| Vibration | 10g RMS (15 degrees 2KHz) |
| Humidity | 100% RH at 35c, 95%RH at 40 °C |
| Shock | 20G for 11msec |
| Cooling | FAN Cooled |



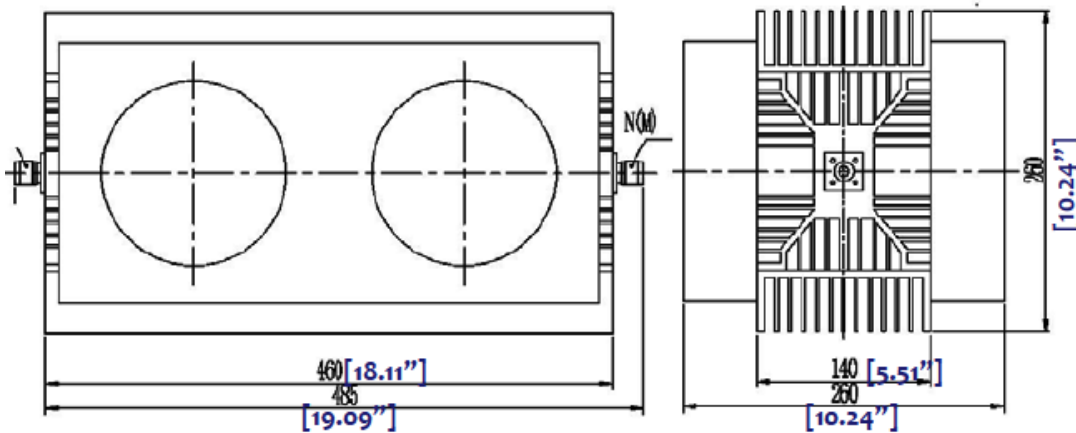
Outline Drawing:

All Dimensions in mm [inches]

No Fan



With Fan



Important Notice

The information contained herein is believed to be reliable. RF-Lambda makes no warranties regarding the information contained herein. RF-Lambda assumes no responsibility or liability whatsoever for any of the information contained herein. RF-Lambda assumes no responsibility or liability whatsoever for the use of the information contained herein. The information contained herein is provided "AS IS, WHERE IS" and with all faults, and the entire risk associated with such information is entirely with the user. All information contained herein is subject to change without notice. Customers should obtain and verify the latest relevant information before placing orders for RF-Lambda products. The information contained herein or any use of such information does not grant, explicitly or implicitly, to any party any patent rights, licenses, or any other intellectual property rights, whether with regard to such information itself or anything described by such information. RF-Lambda products are not warranted or authorized for use as critical components in medical, life-saving, or life sustaining applications, or other applications where a failure would reasonably be expected to cause severe personal injury or death.